



**AMERICAN & OHIO LOCOMOTIVE CRANE CO. INC.**

**811 Hopley Avenue  
P.O. Box 511  
Bucyrus, Ohio 44820**

800-993-6446 ~ 419-562-6010 ~ Fax: 419-562-2565 ~ [www.aolcrane.com](http://www.aolcrane.com)

---

**OEM Product Support Bulletin**

**No. 13**

**DATE:** September 18, 2013 (revision date)

**SUBJECT:** **BELT DRIVE CONVERSION**

Kit Part #: **Specific per S/N**

**RATING:**

<input type="checkbox"/> <b>DIRECTIVE</b> (Action is required)	<input type="checkbox"/> <b>ALERT</b> (Potential Problem)
<input type="checkbox"/> <b>INFORMATION</b> (Action is optional)	<input checked="" type="checkbox"/> <b>PRODUCT IMPROVEMENT</b> (Product Update)

**Machine Model (s):** All American DE's & DEH's and All Ohio DE Locomotive Cranes

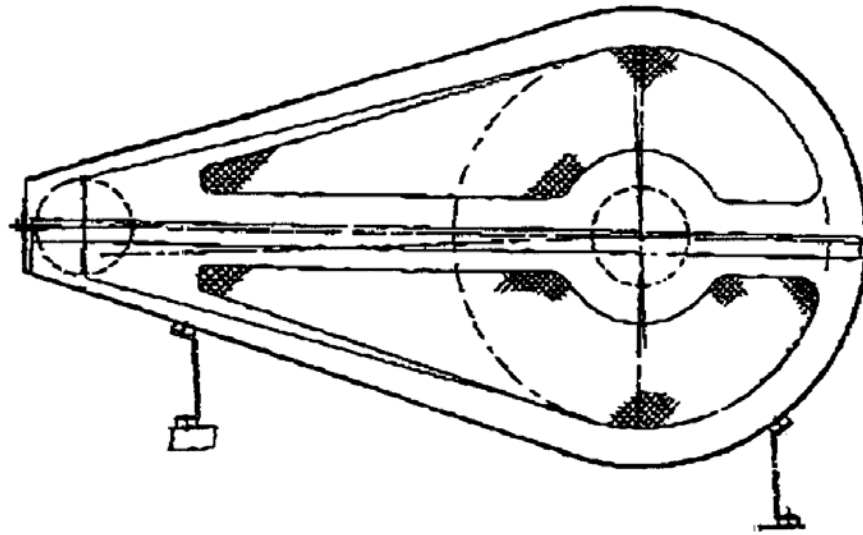
**Serial Numbers:** Specific per serial number

**Summary:** Belt Drive updates the machinery to the latest production design.

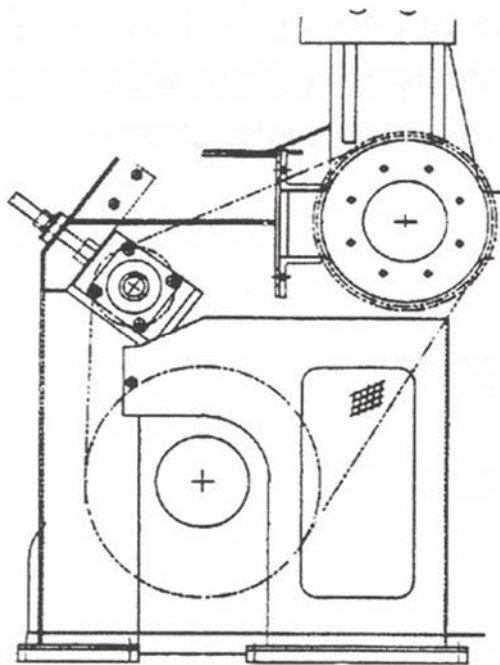
**Operational Impact:**

- > Designed for in the field retrofit on existing cranes.
- > Reduced maintenance cost associated with chains.
- > Easy installation
- > Eliminates oil leakage associated with chains.
- > Quieter operation.
- > Minimizes adjustment time.

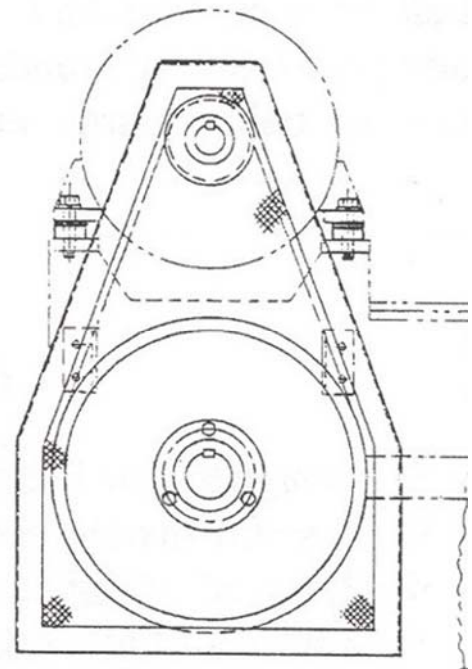
**Warranty:** n/a



**Main Drive Belt Conversion Update**  
For American & Ohio Locomotive Cranes  
(Kit Part No. - Specific per Model Type & Serial Number)



**Boom Hoist Belt Drive Update**  
Ohio DE Crane only  
Standard Kit No. 410006



**Electric Rotate (Swing) Update**  
Ohio DE Crane only  
Standard Kit No. 410242