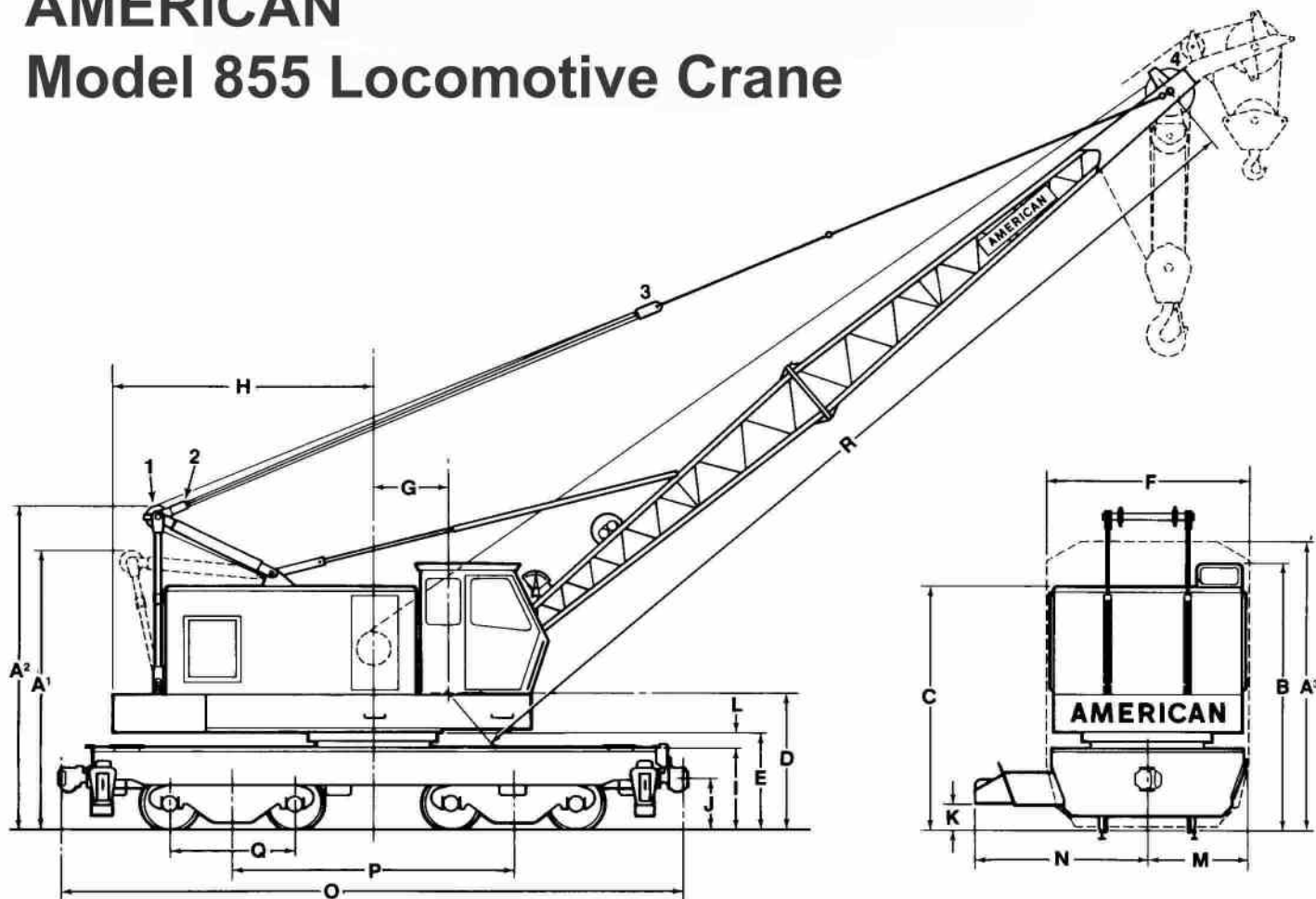


AMERICAN Model 855 Locomotive Crane



GENERAL DIMENSIONS

CRANE: HEIGHT

A ¹	Rails to Top of Gantry Sheaves (For Shipping)	15' 3-9/16"
A ²	Rails to Top of Gantry Sheaves (Working)	18' 7-9/16"
A ³	AAR Plate "C"	15' 6"
B	Rails to Top of Standard Cab	14' 5-1/8"
	Rails to Top of 2'0" Cab	16' 5-1/8"
	Rails to Top of 5'0" Cab	19' 5-1/8"
	Rails to Top of 7'0" Cab	21' 5-1/8"
	Rails to Top of 10'0" Cab	24' 5-1/8"
C	Rails to Top of Machinery Cab	13' 2-1/8"
D	Rails to Boom Foot	7' 5-9/16"
E	Rails to Bottom of Upper Works	5' 5-5/16"

WIDTH

F	For Travel	10' 8"
G	Rotation Center to Boom Foot	4' 0"
H	Tailswing	13' 10-1/2"

BOOM SECTION:

R	Boom Length	50' 0"
---	-------------	--------

CARBODY HEIGHT

I	Rails to Top	4' 6-9/16"
J	Rails to Center of Couplers	2' 9-1/2"
K	Rails to Bottom of Outriggers	1' 5-1/4"
L	Top of Carbody to Bottom of Upper Works	10-3/4"

WIDTH

M	Centerline to Retracted Outrigger	5' 4-1/4"
N	Centerline to Fully Extended Outrigger	9' 3"

LENGTH

	Blocking Point	8' 9"
O	Coupler to Coupler	33' 2-1/2"
P	Center of Bolster to Center of Bolster	15' 0"
Q	Truck Wheel to Wheel	6' 8"

SHEAVES:

	DIA.
1	Two Sheaves 15"
2	Four Sheaves 15"
3	Six Sheaves 15"
4	Three Sheaves 30"